

SERVO-i/s
Cleaning and Maintenance



TABLE OF CONTENTS

1	Introduction		4
2	Routine cleaning		7
3	Maintenance		26

1 Introduction

Table of contents

1.1	Introduction		5
1.2	General information		5
1.3	Symbols		5
1.4	Warning, Caution, Important and Note		5

1.1 Introduction

Unless otherwise stated, the information in this User's Manual is valid for all SERVO-i/s Ventilator Systems.

Here you will find the information needed to clean and maintain the SERVO-i/s systems safely. The manual is divided into three sections:

- Introduction (mandatory information)
- Routine cleaning
- Maintenance

Instructions relevant only for either SERVO-i or SERVO-s are marked. Parts included in SERVO-i only:

- Battery module
- Y sensor
- CO₂ sensor
- Edi module
- Nebulizers

1.2 General information

As cleaning practices vary widely among health care institutions, it is not possible for Maquet to specify particular practices that will meet all needs, or to be responsible for the effectiveness of cleaning procedures carried out in the patient care setting.

Maquet recommends methods that have been validated using the specified equipment and procedures outlined in this manual. Other methods may work but are not covered by the warranty unless Maquet has given written permission.

1.3 Symbols



Hazardous waste The device contains parts which must not be disposed of with ordinary waste.

1.4 Warning, Caution, Important and Note

WARNING! Indicates critical information about a potential serious outcome to the patient or the user.

CAUTION: Indicates instructions that must be followed in order to ensure the proper operation of the equipment.

Important: Indicates information intended to help you operate the equipment or its connected devices easily and conveniently.

Note: Indicates information requiring special attention.

CAUTIONS:

- All personnel should be aware of the risk of parts being infected when disassembling and cleaning the ventilator.
- All disposable parts must be discarded according to hospital routines and in an environmentally safe way.

Important:

- Follow your hospital's guidelines for handling infectious material when handling any part of the SERVO-i/s ventilator system.
- If possible, cleaning should be performed immediately after use and always before disinfection/sterilization. Blood or other residues should not be allowed to dry onto the devices.
- Water quality affects cleaning/disinfection. Maquet recommends drinking quality water as the minimum quality level.
- Maquet recommends the use of Servo Duo Guard bacterial filter or equivalent to reduce the transmission of bacteria from the patient via the expiratory channel to the expiratory cassette. This reduces the risk of infection spread and prolongs the life of the expiratory cassette due to reduced cleaning requirements.
- The use of a washer-disinfector for cleaning/disinfection is recommended if bacterial filters are not used.

- Sterilization is normally not necessary for the expiratory cassette, as it is not an invasive instrument, but when applied, use validated processes only.

Notes:

- Single use (i.e. disposable) items shall not be reused. Cleaning of single use items can damage the item and compromise its intended use. Reuse of single use items increases the risk of spreading infections and compromises the durability of the item.

2 Routine cleaning

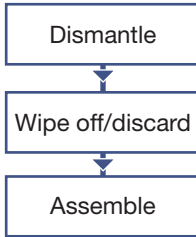
Table of contents

2.1	Cleaning/disinfection procedures - a summary		8
2.2	Preparations and dismantling		9
2.3	Wiping and discarding		11
2.4	Disinfection procedures		13
2.5	Sterilization procedures (not recommended)		16
2.6	Assembling		17
2.7	SERVO Ultra Nebulizer cleaning		18
2.8	Aerogen Pro Nebulizer		20
2.9	SERVO-i NAVA system cleaning		23
2.10	SERVO CO ₂ analyzer cleaning		24
2.11	Accessories		25

2.1 Cleaning/disinfection procedures - a summary

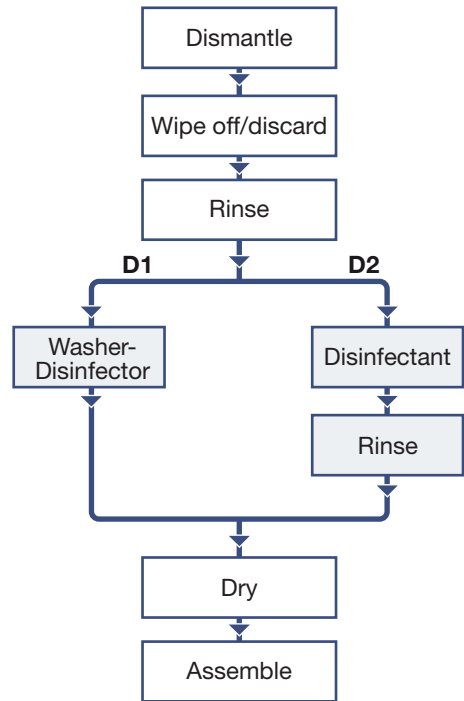
A summary of the procedures for cleaning, disinfection and sterilization is given here. Details for each step are given in the following sections.

Cleaning when bacterial filter is used



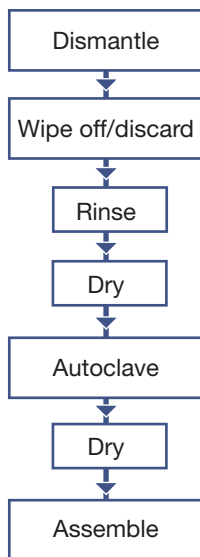
Wipe off and discard filter, see page 11.

Disinfection when no bacterial filter is used



There are two disinfection procedures for the expiratory cassette and associated parts, D1 and D2. In D1 (recommended) a Washer-Disinfector (EN-ISO-15883-1) is used, and in D2 a disinfectant is used.

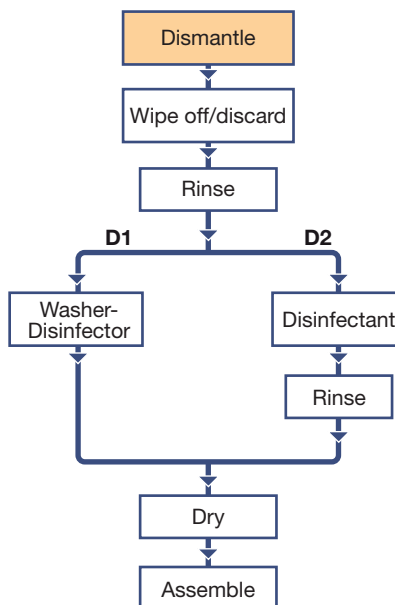
Sterilization with autoclave (NOT recommended)



Autoclaving will reduce the lifetime of the expiratory cassette and is not recommended as a cleaning method.

Sterilization is normally not necessary for the expiratory cassette, as it is not an invasive instrument, but when applied, use validated processes only. See further instructions about autoclaving on page 16.

2.2 Preparations and dismantling

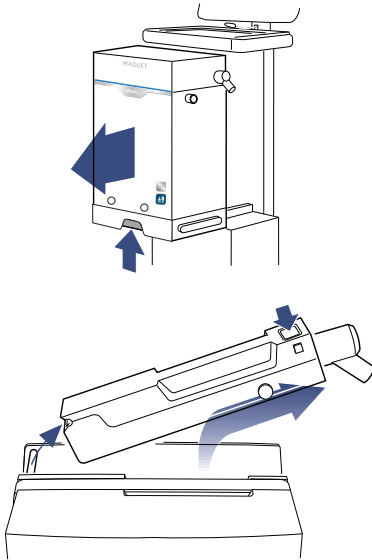


2.2.1 Preparations

- Switch off the ventilator using the switch on the rear of the User Interface.
- Disconnect the ventilator from the power and gas supply.
- Disconnect any optional equipment from the power supply and from the ventilator.

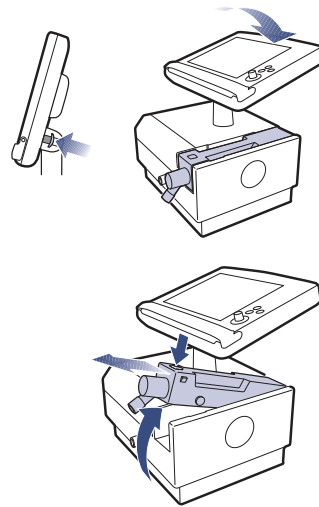
2.2.2 Remove the expiratory cassette

SERVO-i



- Lift the locking handle and pull out the patient unit.
- Press the button on the expiratory cassette, tilt it upwards and remove.

SERVO-s



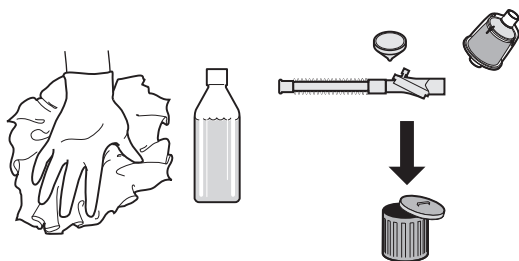
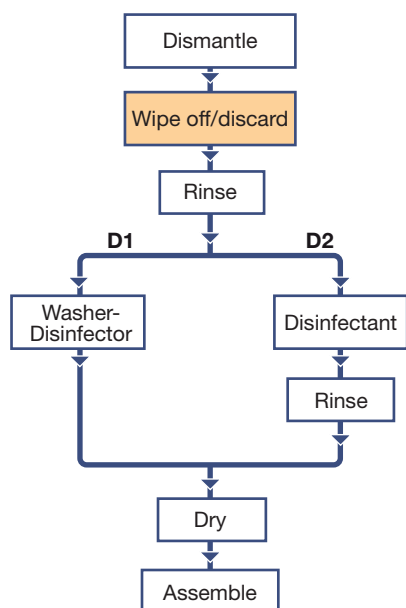
- Press the locking arm on the rear to tilt the User Interface.
- Press the button on the expiratory cassette, tilt it upwards and remove.

WARNING! After removing the expiratory cassette, do not pour any fluid into the expiratory cassette compartment. Avoid contact with electrical connectors.

Important: The expiratory cassette can be exchanged between different SERVO-i/s ventilator systems. The ventilator may be used immediately* by connecting a clean expiratory cassette.

* After replacing the expiratory cassette, a Pre-use check must be performed (except in emergencies, when it should be performed as soon as possible).

2.3 Wiping and discarding



- Wipe the ventilator and all removable parts with a soft lint-free cloth moistened in soap & water or detergent-based disinfectant.
 - 3M Respirator Cleaning Wipes
 - Clorox Bleach Germicidal Wipes (may cause discoloration)
 - Super Sani-Cloth Germicidal Wipes (may cause discoloration)
 - Virkon S
 - Accel TB (Virox 5)

Note: In case of more contaminated surfaces, use ethyl alcohol (70%) or isopropyl alcohol (70%). Avoid contact with electrical contacts.

CAUTION: Do not immerse battery, CO₂ analyzer, Edi module or Y sensor module (SERVO-i only) in any fluid.

- Discard disposable items:
 - Servo Duo Guard viral/bacterial filter
 - Servo Humidifier/HME
 - Y sensors
 - disposable patient tubing
 - disposable airway adapter
 - Edi catheters
 - Aerogen Solo nebulizer
 - disposable CO₂ adapter

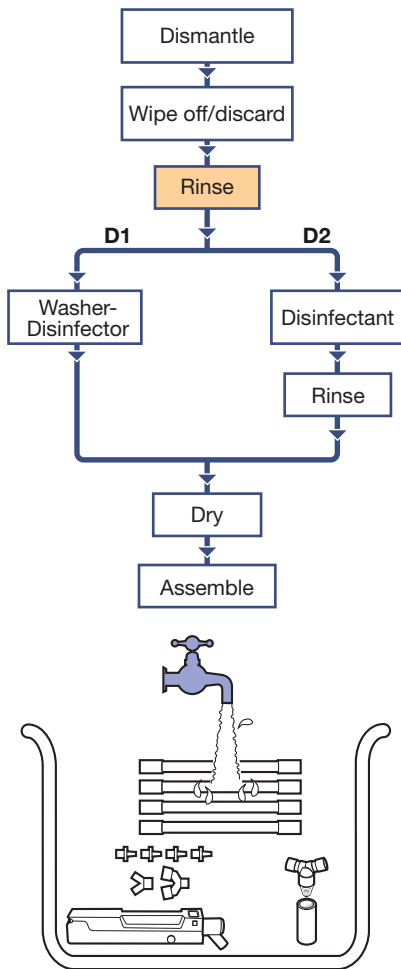
Notes:

- Single use (i.e. disposable) items shall not be reused. Cleaning of single use items can damage the item and compromise its intended use. Reuse of single use items increases the risk of spreading infections and compromises the durability of the item.

Regularly check that the fan filter looks clean (i.e. black). If dusty, remove (snap off/snap on) and rinse in water. Shake out, ensuring that the filter is free from excess water.

This is all the cleaning that is required when a Servo Duo Guard filter (or equivalent) is used.

2.3.1 Rinse before disinfection

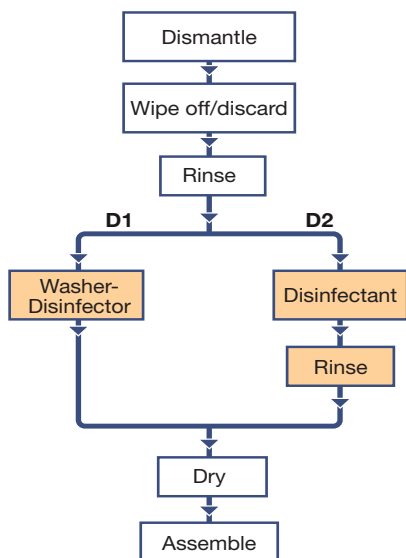


Important: Rinsing the cassette in water (<35°C/95°F) immediately after use may be a useful alternative to disinfection. Immediate rinsing can remove particles and reduces the risk of cross-contamination between patients.

If rinsing before disinfection is not included in the washer disinfector program:

- Rinse the parts thoroughly in water (<35°C/95°F).
- Let the water flow through the parts.

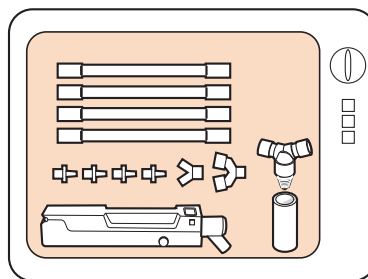
2.4 Disinfection procedures



Important:

- The expiratory cassette is a precision instrument and must be handled carefully.
- After disinfection procedure, all parts must be dried before use. If the expiratory cassette is not dry it may not pass the Pre-use check.

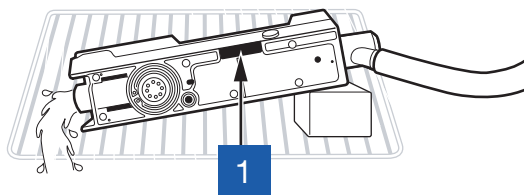
2.4.1 Washer-Disinfector (D1)



- Wash the parts with water only in a washer-disinfector at a temperature of 85-95°C (185-203°F).

The following cleaning agent can be used:

- neodisher® MediClean forte
- Getinge MIS Detergent (for the expiratory cassette)



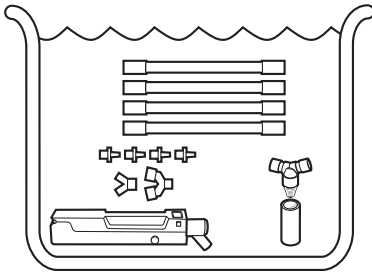
- Place the expiratory cassette on its side with the electrical connector (1) uppermost as shown in the picture above.

Notes:

- The water pressure in the washer-disinfector should not exceed 1.5 bar.
- The maximum water flow should not exceed 10 l/min.
- The water must have free passage through the cassette.

The expiratory cassette will last at least 200 cycles.

2.4.2 Disinfectant (D2)



Let the parts soak in disinfectant.

Pre-disinfectant

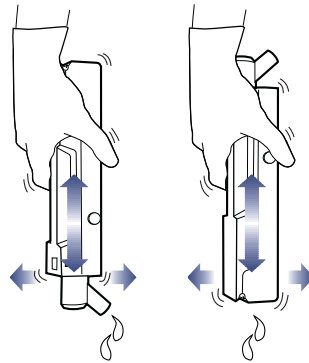
- Aniosyme DD1
- Gigazyme Plus
- Salvanios pH7

Disinfectant

- Alcohol (ethyl or isopropyl alcohol 70%)
- Anioxyde 1000
- Cidex OPA
- Actanios HLD (prion decontamination agent), may cause discoloration

Important: Follow the disinfectant manufacturer's recommendations and instructions, otherwise the cassette may be damaged.

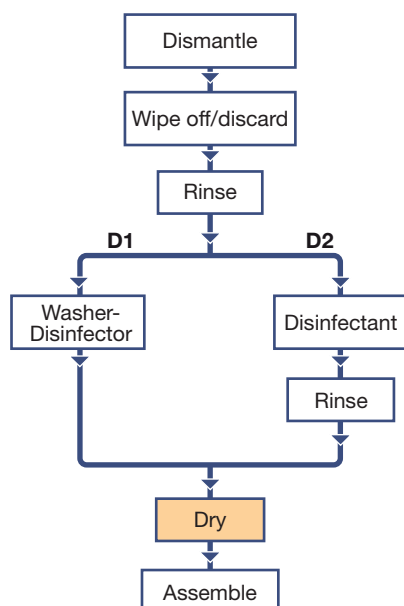
2.4.3 Rinse after disinfection (D2)



- Rinse the parts thoroughly in water to remove all traces of disinfectant. Let the water flow through the parts.
- **Carefully** shake and tilt the cassette, turn upside down and repeat.
- Repeat these steps at least 5-7 times.

Important: Mineral deposits from disinfectant on the expiratory cassette affect the function. It is important to rinse the expiratory cassette thoroughly. Residues from chemicals can affect the patient, cause leakage and extra stress on the material.

2.4.4 Drying alternatives

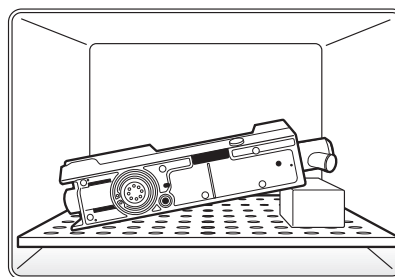


The expiratory cassette must be dried before use (if not dry, the expiratory cassette may not pass the Pre-use check).

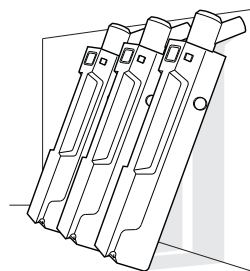
There are several drying alternatives for the expiratory cassette:

- Drying cabinet 1 hour in maximum 70°C (158°F); if available, connect a 22 mm air hose to the expiratory cassette for extra drying effect, or
- Drying the cassette in room air 12-24 hours, depending on surrounding conditions.

Recommended position in a drying cabinet



Recommended position in room air



If the Pre-use check is not passed after drying then:

- Run the cassette in a ventilator system with a test lung for 10 minutes, or
- Dry the cassette in room air (if no drying cabinet is available) 12-24 hours, depending on surrounding conditions.

CAUTION: Never dry the cassette by applying high-pressure air as the internal tubing may be damaged.

Note: Drying may not be necessary if the washer-disinfector has a drying phase.

2.5 Sterilization procedures (not recommended)

An autoclave may be used to sterilize the expiratory cassette but it is normally not necessary, as the expiratory cassette is not an invasive instrument.

2.5.1 Number of cycles in the autoclave

The expiratory cassette will last at least:

- 100 autoclaving cycles with 3 minutes sterilization time at 134°C (273°F).
- 30 autoclaving cycles with 18 minutes sterilization time at 134°C (273°F).

2.5.2 Rinse

Rinse the parts thoroughly in water (<35°C/95°F). Let the water flow through the parts to remove organic matter, e.g. blood, and other residues.

2.5.3 Drying before autoclaving

Before placing the expiratory cassette in an autoclave, make sure that no water remains inside the cassette. For drying instructions, see page 15.

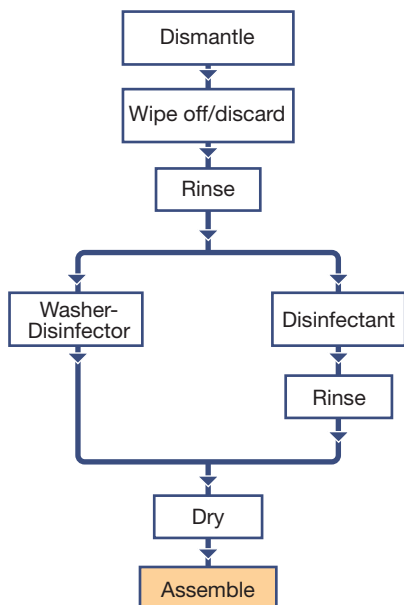
2.5.4 Autoclave

- Instrument parts should be autoclaved in a validated process, typically at a temperature of 134°C (273°F) for 3 minutes.
- Rubber parts should be autoclaved in a validated process, typically at a temperature of 121°C (250°F).

2.5.5 Drying after autoclaving

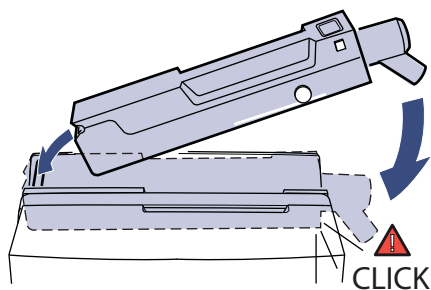
For drying alternatives, see page 15 .

2.6 Assembling

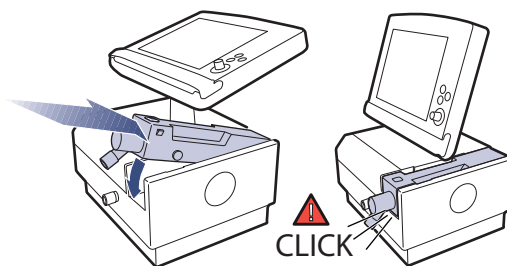


2.6.1 Re-inserting the expiratory cassette

SERVO-i



SERVO-s



- Hinge the expiratory cassette and press it firmly down into lock position.

WARNING! ⚠ Make sure that the cassette clicks into position. Check that it cannot be moved upwards and that the button on top of the cassette is completely ejected.

- Note on a log sheet that a routine cleaning has been performed. Refer to hospital guidelines.

2.6.2 PRE-USE CHECK

After cleaning, always perform a Pre-use check. For more information, please refer to the SERVO-i/s User's Manual.

If the Pre-use check fails:

- Carefully shake/tilt the cassette (5-7 times).
- Run the cassette in a ventilator system with a test lung for 10 minutes.
- Re-do the Pre-use check.

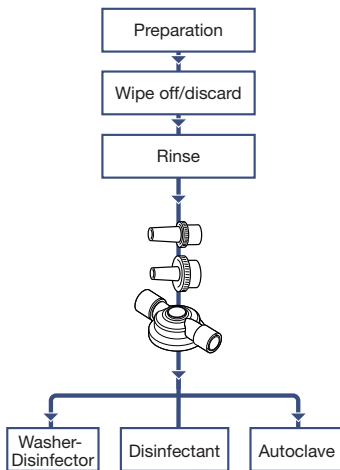
2.7 SERVO Ultra Nebulizer cleaning

The Servo Ultra Nebulizer has been discontinued.

The information in this document applies to devices sold with versions 6.1 and earlier of the SERVO-i Ventilator System.

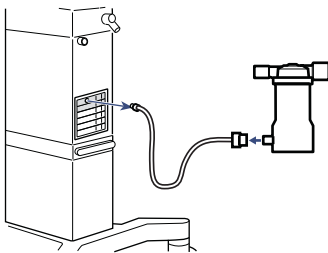
Cleaning should be done after each patient or according to hospital routine.

Perform a function test of the SERVO Ultra Nebulizer after the cleaning. Refer to the SERVO-i/s User's Manual.



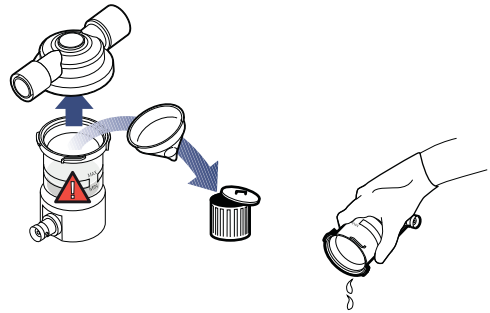
Only the T-piece and nipples can be autoclaved.

2.7.1 Preparation



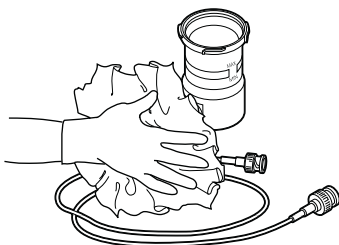
- Disconnect the Servo Ultra Nebulizer from the ventilator.

2.7.2 Wiping and discarding



- Unscrew the T-piece and discard the medication cup.
The medication cup must be disposed of in an environmentally safe way in accordance with hospital regulations.
- Empty the buffer water from the nebulizing chamber.

Important: ⚠ Do not autoclave or use a washer-disinfectant when cleaning the nebulizing chamber.



- Wipe the nebulizing chamber and control cable with a soft cloth moistened in soap & water or detergent-based disinfectant.

Note: In case of more contaminated surfaces, use ethyl alcohol (70%) or isopropyl alcohol (70%).

2.7.3 Rinse

Rinse the parts thoroughly in water (<35°C/95°F).

2.7.4 Disinfection procedure

Washer-Disinfector

Wash the T-piece and nipples in a washer-disinfector at a temperature of 85-95°C (185-203°F).

Important: Do not put the nebulizing chamber in a washer-disinfector.

Pre-disinfectant

- Hexanios G+R
- Aniosyme DD1
- Gigazyme Plus

Important: Follow the disinfectant manufacturer's recommendations and instructions.

Disinfectant

- Let the T-piece and nipples soak in a disinfectant such as
 - Cidex OPA
 - Anioxyde 1000

Important: Follow the disinfectant manufacturer's recommendations and instructions.

- Rinse the T-piece and nipples thoroughly in water (<35°C/95°F).

2.7.5 Sterilization procedure

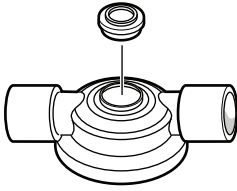
Autoclave

The T-piece and nipples can be autoclaved in a validated process, typically at a temperature of 134°C (273°F) for 4-7 minutes.

Check that the O-ring is correctly positioned.

Important: Do not autoclave the nebulizing chamber.

2.7.6 Nebulizer membrane



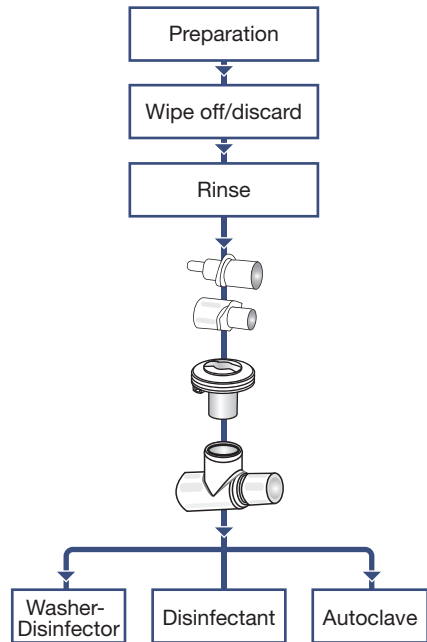
Replacement of membrane if needed/used:

- Peel off the old membrane.
- Put a new membrane in place.
- Make sure the new membrane is properly attached. This is easiest to see from the inside.
- Check the SERVO Ultra Nebulizer for leakage (Pre-use check, SERVO-i/s User's Manual).

2.8 Aerogen Pro Nebulizer

Cleaning should be done after each patient or according to hospital routine.

Perform a function test of the Aerogen Pro Nebulizer after the cleaning. Refer to the SERVO-i User's Manual.

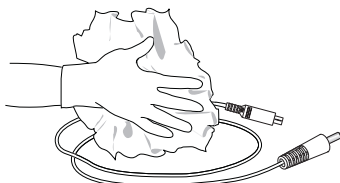


Only the Aerogen Pro Nebulizer unit, T-piece and neonate adapters can be autoclaved.

2.8.1 Preparation

- Disconnect the nebulizer unit from the control cable, and remove the nebulizer unit, T-piece and adapters from the ventilator circuit, mask or mouthpiece.

2.8.2 Wiping and discarding



- Wipe the control cable with a damp cloth. Do not autoclave.
- Check for exposed wiring, damaged connectors, or other defects and replace if any are visible.

Note: In case of more contaminated surfaces, use ethyl alcohol (70%).

2.8.3 Disinfection procedure

Cleaning

- Disassemble the nebulizer unit and adapters into individual components.
- Remove the filler cap from nebulizer unit.
- Clean all parts with warm water and mild liquid detergent.
- Rinse all parts in sterile water.
- Shake excess water from parts and allow parts to air dry.

Washer-disinfector

Two different washing cycles are validated for the Aerogen Pro nebulizer:

- Liquid alkaline cleaner (diluted as per manufacturer instruction) and mains water.
 - Load the components in the washer-disinfector.
 - Pre-rinse the components for 3 minutes.
 - Clean the components with liquid alkaline cleaner at 55 °C (131 °F) for 10 minutes.
 - Rinse for 1 minute.
 - Rinse using thermal disinfection cycle at 93 °C (199.4 °F) for 10 minutes.
- Mains water and without the use of a detergent.
 - Load the components in the washer-disinfector.
 - Wash components for 10 minutes at 91 °C (195.8 °F).
 - Drain the machine for 40 seconds.
 - Rinse at 90 °C (194 °F) for 1 minute.
 - Drain the machine for 40 seconds.
 - Rinse at 90 °C (194 °F) for 1 minute.
 - Drain the machine for 40 seconds.

- Dry at 90 °C (194 °F) for 15 minutes.

Pre-disinfectant

- Hexanios G+R

Disinfectant

Immerse the parts in appropriate disinfecting agent such as:

- Isopropyl alcohol (70 %)
- CIDEX
- NU-CIDEX
- Cidex OPA

Important: Follow the disinfectant manufacturer's recommendations and instructions.

2.8.4 Sterilization procedure

Autoclave

- Disassemble the nebulizer unit and adapters into individual components.
- Remove the filler cap from the nebulizer unit
- Clean all parts with warm water and mild liquid detergent. Rinse thoroughly and air dry.
- Check for cracks or damage and replace if any defects are visible.
- Place the disassembled components into appropriate sterilization wrapping.

CAUTION: Do not reassemble parts prior to autoclaving

Steam sterilization can be performed using the following three methods:

- Autoclave wrapped parts using steam sterilization pre-vacuum cycle, a minimum of 134°C (270°F - 275°F) for 3.5 minutes with drying cycle (134°C wrapped cycle).
- Autoclave wrapped parts using steam sterilization pre-vacuum cycle, a minimum of 121°C (250°F) for 20 minutes with drying cycle (121°C wrapped cycle).
- Autoclave wrapped parts using steam sterilization pre-vacuum cycle, a minimum of 134°C (270°F - 275°F) for 20 minutes with drying cycle (sometimes referred to as a "Prion cycle").

Note: Sterilization using the long autoclave cycle may cause some areas of the nebulizer to become discolored. This is not indicative of the performance of the nebulizer unit.

To sterilize with hydrogen peroxide gas plasma, place wrapped parts in a STERRAD® System, and use the long cycle.

CAUTION: Users should refer to the product labelling for the STERRAD® 100S Sterilization System for specific instructions regarding its proper operation.

2.9 SERVO-i NAVA system cleaning

2.9.1 Wiping and discarding

Cleaning should be done after each patient or according to hospital routine.

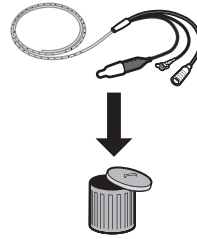


- Wipe all parts with a soft lint-free cloth moistened in soap and water or detergent-based disinfectant.

Important: Do not immerse the Edi module or the cable in fluid.

Note: In case of more contaminated surfaces, use ethyl alcohol (70%) or isopropyl alcohol (70%). Avoid contact with electrical contacts.

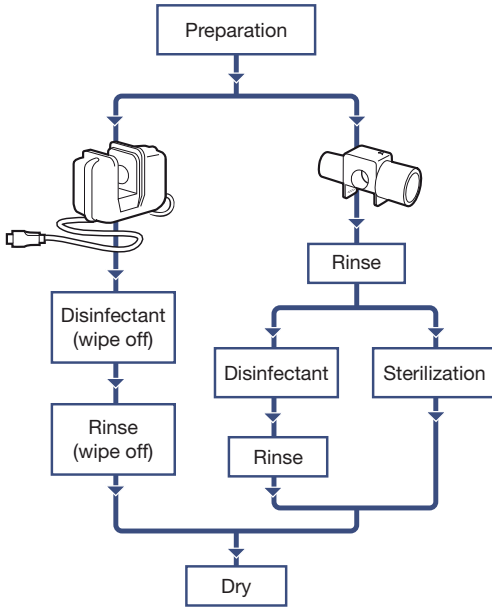
Discard the Edi catheter. The Edi catheter is for single patient use only.



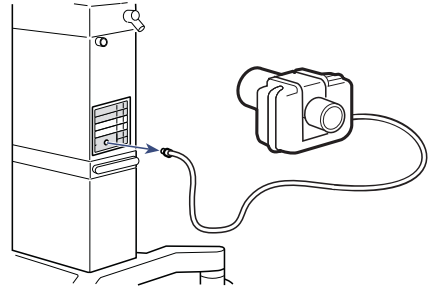
Note: The Edi catheter must not be disposed of with ordinary waste.

2.10 SERVO CO₂ analyzer cleaning

Cleaning should be done after each patient or according to hospital routine.



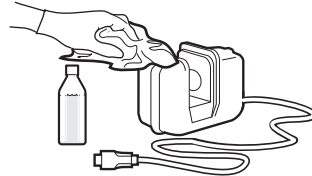
2.10.1 Preparation



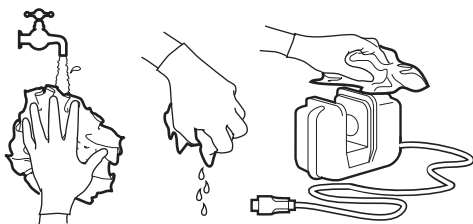
- Disconnect the Capnostat sensor and airway adapter from the ventilator.

2.10.2 Capnostat sensor

Disinfection procedure



- Wipe the Capnostat sensor with a soft cloth moistened in disinfectant (Cidex OPA or isopropyl alcohol 70%).



- After cleaning, wipe the Capnostat sensor with a water-dampened clean cloth.
- The Capnostat sensor windows must be dried after cleaning.

2.10.3 Airway adapter

Discard the disposable airway adapter. The disposable airway adapter is for single patient use only.

The reusable airway adapter can be disinfected or sterilized.

- Rinse the adapter thoroughly in water (<math><35^{\circ}\text{C}/95^{\circ}\text{F}</math>).

Important: Do not immerse the CO_2 analyzer module or the Capnostat sensor in fluid.

Disinfection procedure

- Let the adapter soak in Cidex OPA solution.
- Rinse the adapter thoroughly in distilled water.
- Before reusing the adapter, the windows must be dry and wiped off.

Important: Follow the disinfectant manufacturer's recommendations and instructions.

Sterilization procedure

- The adult adapter can be autoclaved in a validated process, typically at a temperature of 134°C (273°F) for 3 minutes.
- The neonate and adult adapters can be sterilized using EtO (ethylene oxide) gas method.
- After sterilization procedure the adapters must be dried before use.

2.11 Accessories

Fischer & Paykel Humidifier MR850

Refer to the cleaning routines in the operating manual for the Fischer & Paykel Humidifier.

3 Maintenance

Table of contents

3.1	Preventive maintenance		27
3.2	O ₂ sensor		27
3.3	O ₂ cell		27
3.4	Extended cleaning of inspiratory channel		31
3.5	Accessories		34

3.1 Preventive maintenance

Maquet recommends that the equipment is inspected regularly.

A preventive maintenance, according to corresponding chapter in the Service manual, must be performed by authorized personnel at least once every year as long as the unit is not used more than normal. Normal operation during one year is estimated to correspond to approximately 5000 hours of operation. The current operating time and time to next preventive maintenance is presented under the Status menu on the User Interface.

Important: It is recommended that a regular cleaning and an extended cleaning of the inspiratory channel should be performed before carrying out preventive maintenance. The extended cleaning must be done by trained personnel only.

3.2 O₂ sensor

No regular maintenance required.

3.3 O₂ cell



Regularly check the cell status in the *Status* menu. The O₂ cell should be exchanged if <10% estimated remaining capacity is indicated in the *Status* menu. Refer to SERVO-i/s User's manuals for O₂ cell adjustment.

WARNING! The sealed unit of the O₂ cell contains a caustic liquid which may cause severe burns to the skin and eyes. In case of contact, immediately wash the affected area continuously with water for at least 15 minutes and seek medical attention, especially if the eyes are affected.

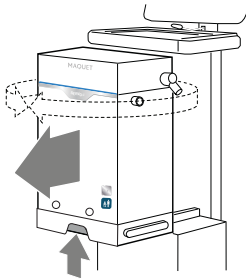
Important:

- Make sure the O₂ cell is for the SERVO-i/s models.
- Replacement of the O₂ cell and filter and extended cleaning may only be performed by trained personnel.

3.3.1 Preparations and dismantling

- Unpack the O₂ cell at least 15 minutes before replacement. Turn the ventilator off using the switch on the rear of the user interface.
- Disconnect the ventilator from the power and gas supply.

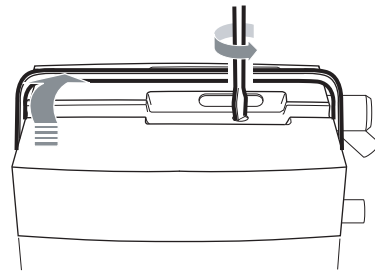
SERVO-i



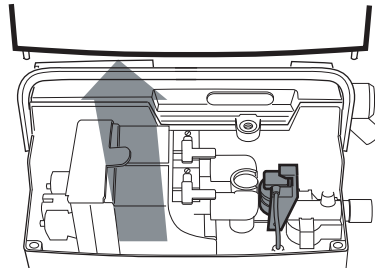
- Lift the locking handle and pull out the patient unit.



- Lift the handle and fold it over the Expiratory cassette.

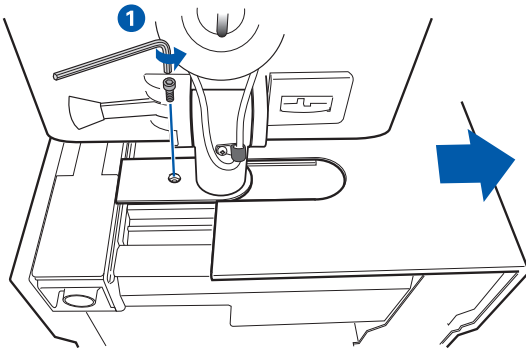


- Turn the bayonet screw one quarter of a turn to release.



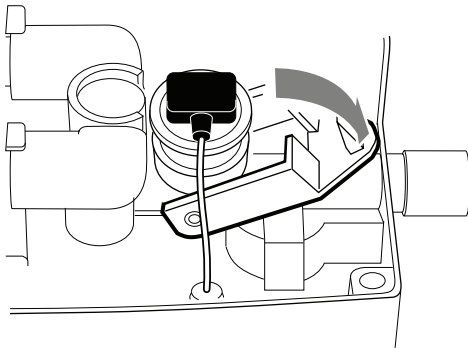
- Lift off the cover.

SERVO-s

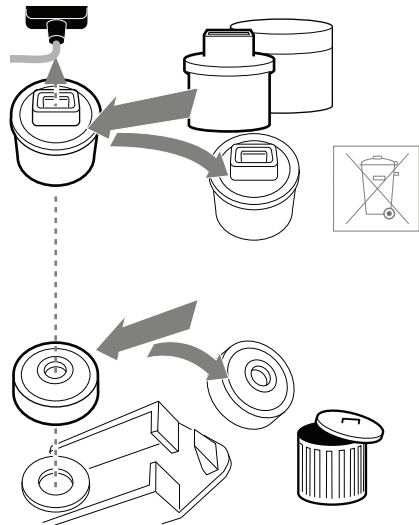


- Loosen the screw.
- Pull out the cover.

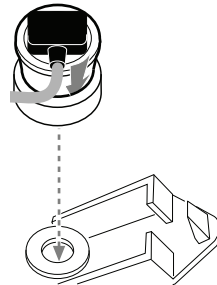
3.3.2 Replacement of O₂ cell and/or bacterial filter



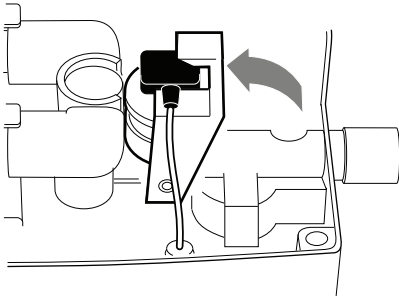
- Lower the locking catch.



- Disconnect the O₂ cell connector.
- Lift and discard the O₂ cell with the rubber seal to special waste and/or remove and discard the bacterial filter to hazardous waste.



- Ensure that the new rubber seal is intact, then firmly put in a new bacterial filter.



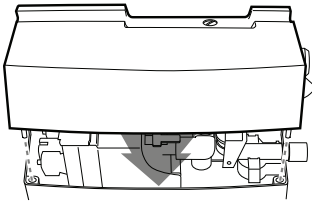
- Connect the O₂ cell connector.
- Put the O₂ cell in position.
- Close the locking catch.



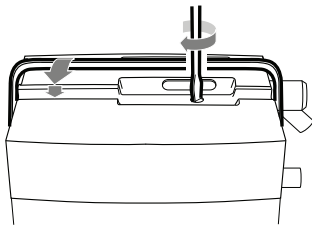
- Angle up the handle and push it down in position.
- Perform a Pre-use check, see SERVIO-i User's Manual.

3.3.3 Assembling

SERVIO-i

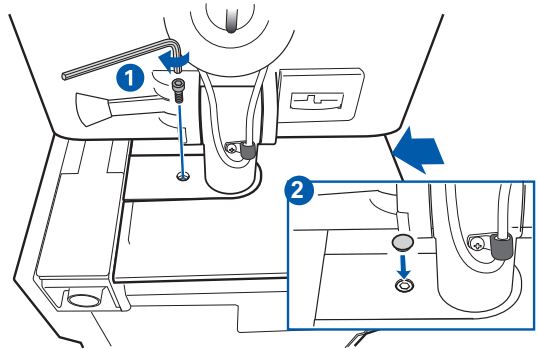


- Put the cover in position.



- Tighten the bayonet screw.

SERVIO-s



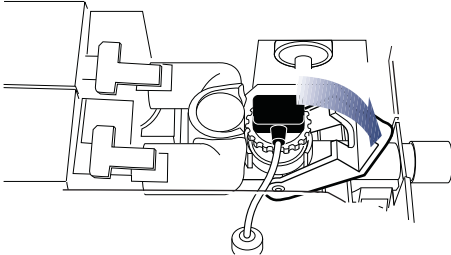
- Push the cover in position.
- Tighten the screw.
- Perform a Pre-use check, see SERVIO-s User's Manual.

3.4 Extended cleaning of inspiratory channel

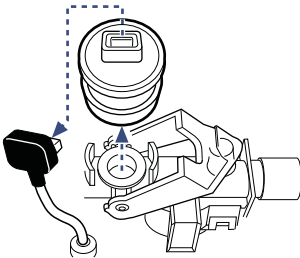
3.4.1 Preparations and dismantling

Follow the instructions for preparation and dismantling as given on page 28.

O₂ cell is installed

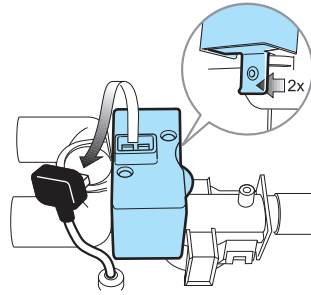


- Lower the locking catch.

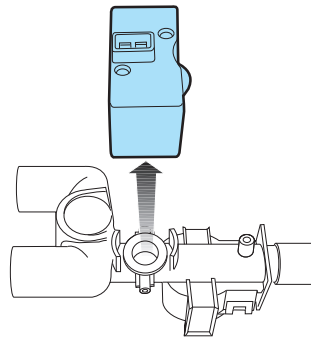


- Disconnect the O₂ cell connector and lift out the O₂ cell.

O₂ sensor is installed

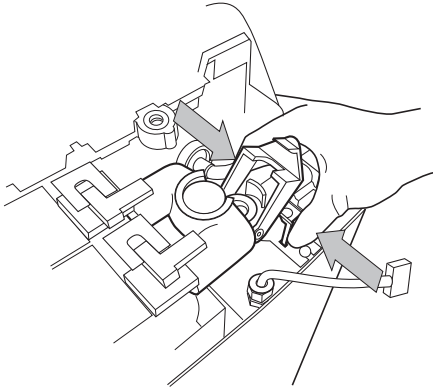


- Disconnect the O₂ sensor and carefully unlock the latches.



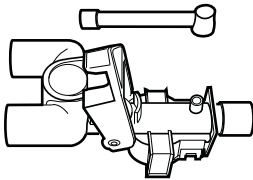
- Lift the O₂ sensor out of position.

3.4.2 Remove the inspiratory channel and tube



- Press the latches and lift the inspiratory channel upwards. Disconnect the connector muffs.
- Disconnect the tube and remove the bacterial filter. Discard the filter to hazardous waste.

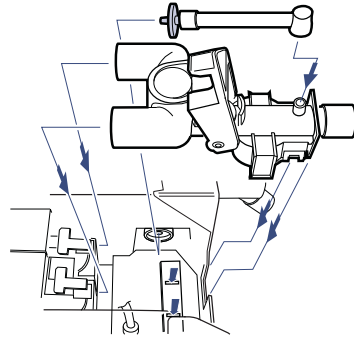
3.4.3 Disinfection/sterilization procedures



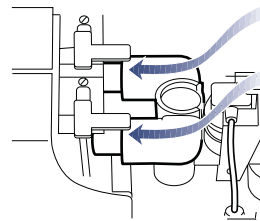
Clean the inspiratory channel and tube the same way as the expiratory cassette. See page Routine cleaning.

The inspiratory channel will last at least 20 cycles.

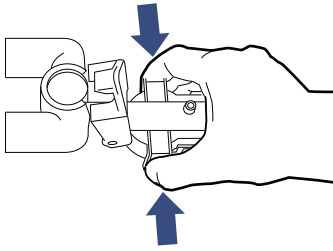
3.4.4 Insert the inspiratory channel and tube



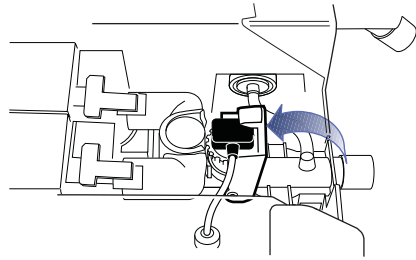
- Put a new bacterial filter in position and connect the filter to the tube.



- Put the connector muffs in position.



- Press the latches and insert the inspiratory channel.

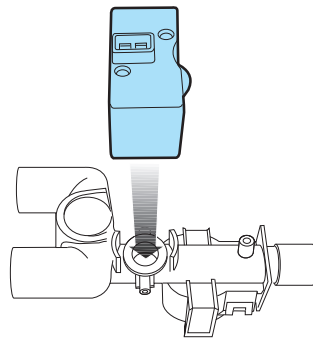


- Close the locking catch.

Important:

- There should always be clearance between the connector muffs and gas modules.
- Make sure the latches are locked in position.

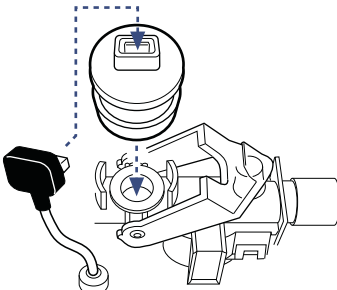
Insertion of O₂ sensor



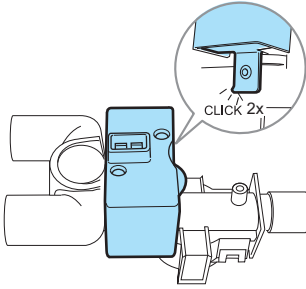
- Put the O₂ sensor in position.

3.4.5 Insert the O₂ cell/O₂ sensor

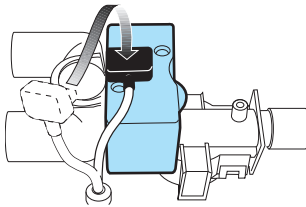
Insertion of O₂ cell



- Connect the O₂ cell connector and put the O₂ cell in position.



- Connect the O₂ sensor (two "clicks" are heard).



- Connect the O₂ sensor connector.

3.4.6 Assembling

- Re-assemble according to instructions given on page 30.
- Note on a log sheet that an extended cleaning of the inspiratory channel has been performed.
- Perform a Pre-use check (see SERVO-i/s User's Manuals).

Important: The accuracy of the measurement is dependent of the quality (oxygen content) of supplied gases during Pre-Use Check.

3.5 Accessories

Fischer & Paykel Humidifier MR850 (optional)

Refer to the operating manual for the Fisher & Paykel Humidifier MR850.

Disposable parts

Use disposable and spare parts from Maquet only. All disposable parts must be discarded according to hospital routine and in an environmentally safe way.

MAQUET
GETINGE GROUP

Manufacturer: Maquet Critical Care AB
Röntgenvägen 2
171 54 Solna, Sweden
Phone: +46 (0) 10 335 73 00
www.maquet.com

For local contact:
Please visit our website
www.maquet.com



GETINGE GROUP

Getinge Group is a leading global provider of innovative solutions for operating rooms, intensive-care units, hospital wards, sterilization departments, elderly care and for life science companies and institutions. With a genuine passion for life we build quality and safety into every system. Our unique value proposition mirrors the continuum of care, enhancing efficiency throughout the clinical pathway. Based on our first-hand experience and close partnerships, we are able to exceed expectations from customers – improving the every-day life for people, today and tomorrow.

